



GOLDEN PLAINS SHIRE

ATTACHMENTS

**Under Separate Cover
Council Meeting**

6.00pm Monday 21 September 2020

Table of Contents

7.3	P20-076 1805 Rokewood-Shelford Road, Rokewood (The use and development of the land for a Service Station)	
	Attachment 2 Permit Application.....	5



PRELIMINARY ISSUE

REVISION DESCRIPTION	BY	DATE
1. DRAWING AND DETAILS	EE	04-09-20
2. SITE ROADWAY ARRANGEMENTS	EE	14-02-20
3. FINAL HAZKEM ISSUE	EE	28-01-20



ABN 63 616 105 483
 DANGEROUS GOODS CONSULTING
 LPG & FUEL SYSTEMS - CONSULTING & DESIGN
 8/328 RESERVE RD CHELTENHAM 3192
 PHONE (03) 9842 7300
 www.hozkem.com.au

PROJECT
 URG ROKWOOD
 1805 ROKWOOD-SHELFORD RD
 ROKWOOD, VIC

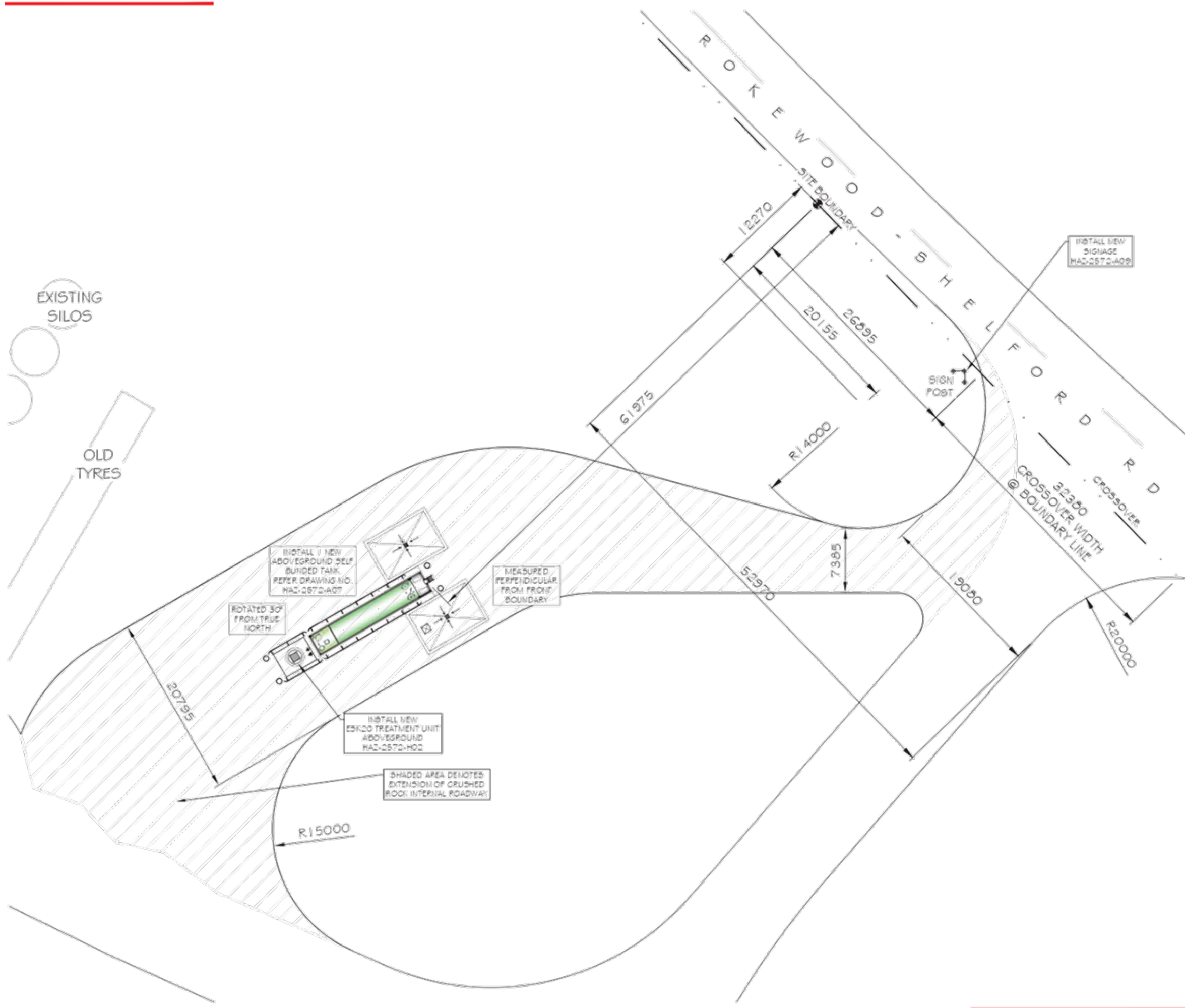
CLIENT
 UNITED RETAIL GROUP

TITLE
 EXISTING SITE LOCALITY PLAN

PROJECT No	DESIGNED	DRAWN	SCALE
HAZ-2572	EE		1:10000 @A3

NORTH APPROVED

DRAWING No	ISSUE No
HAZ-2572-A01	2



PRELIMINARY ISSUE

REV	DESCRIPTION	BY	DATE
4	ADDED SIGNAGE	EE	04/04/20
3	NOTE AVOIDANCE	EE	04/03/20
2	PROVIDED WATER TANK	EE	18/02/20
1	SITE ROADWAY AVOIDANCE	EE	14/02/20
0	INITIAL HAZKEM ISSUE	EE	28/01/20



ABN 63 616 105 483
 DANGEROUS GOODS CONSULTING
 LPG & FUEL SYSTEMS - CONSULTING & DESIGN
 8/328 RESERVE RD CHELTENHAM 3192
 PHONE (03) 9842 7300
 www.hozkem.com.au

PROJECT
 URG ROKWOOD
 1805 ROKWOOD-SHELFORD RD
 ROKWOOD, VIC

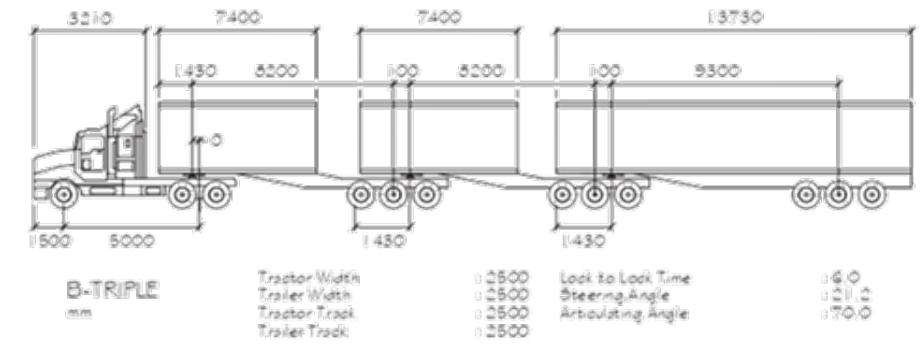
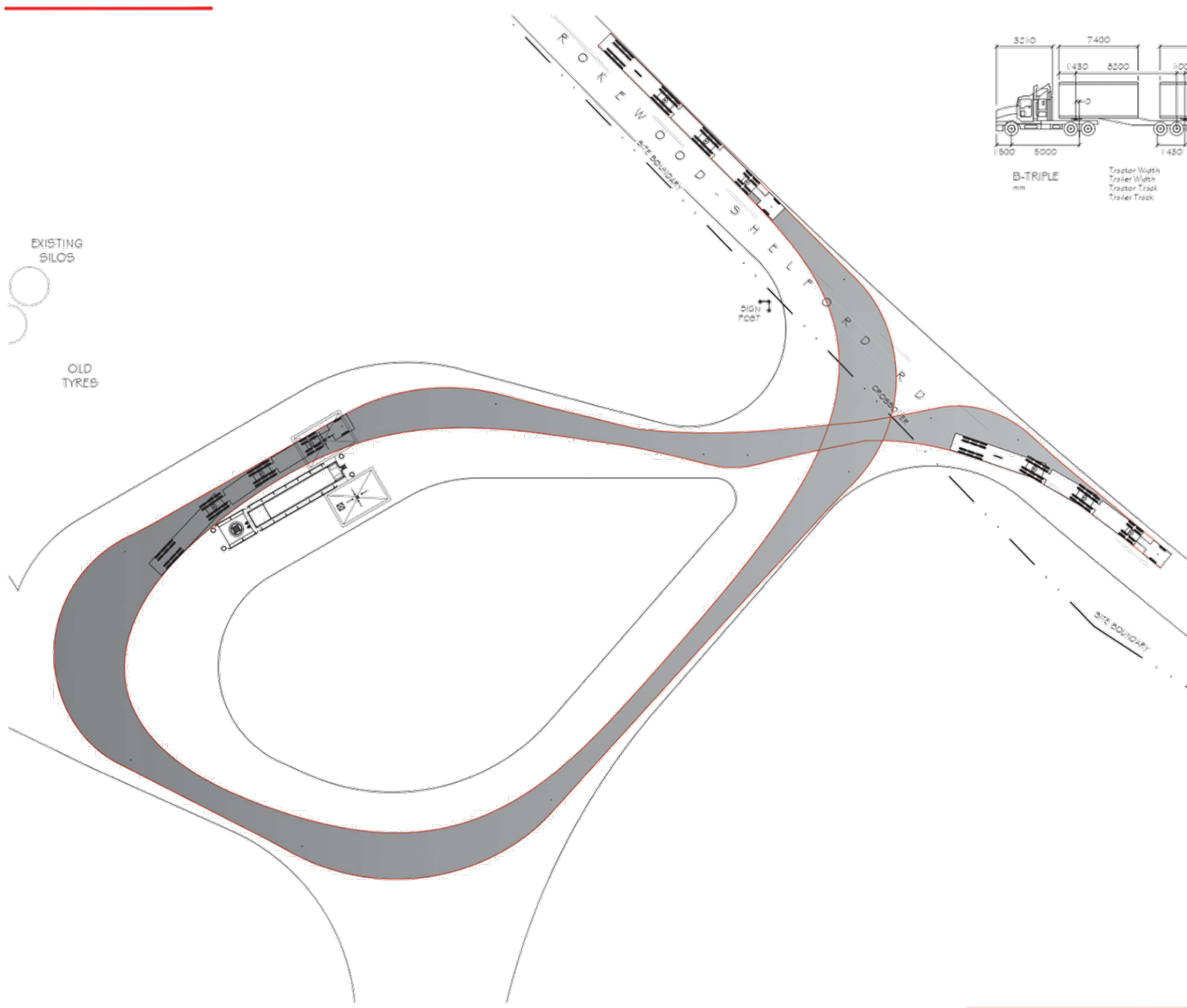
CLIENT
 UNITED RETAIL GROUP

TITLE
 PROPOSED SITE PLAN

PROJECT No. DESIGNED DRAWN SCALE
 HAZ-2572 EE 1:400 @A3

NOTED APPROVED

DRAWING No. ISSUE No.
 HAZ-2572-A02 4



PRELIMINARY ISSUE

REV	DESCRIPTION	BY	DATE
3	ADDED SIGNAGE	ED	06/04/20
2	REVISED WATER TANK	ED	19/02/20
1	TANKER DETAILS REVISED	ED	14/02/20
0	INITIAL HAZKEM ISSUE	ED	28/01/20

HAZKEM

ABN 63 616 105 483
 DANGEROUS GOODS CONSULTING
 LPG & FUEL SYSTEMS - CONSULTING & DESIGN
 8/328 RESERVE RD CHELTENHAM 3192
 PHONE (03) 9842 7300
 www.hozkem.com.au

PROJECT
 URG ROKWOOD
 1805 ROKWOOD-SHELFORD RD
 ROKWOOD, VIC

CLIENT
 UNITED RETAIL GROUP

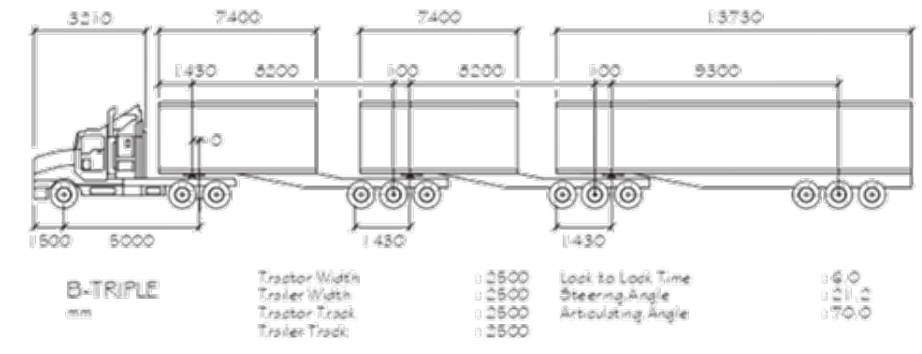
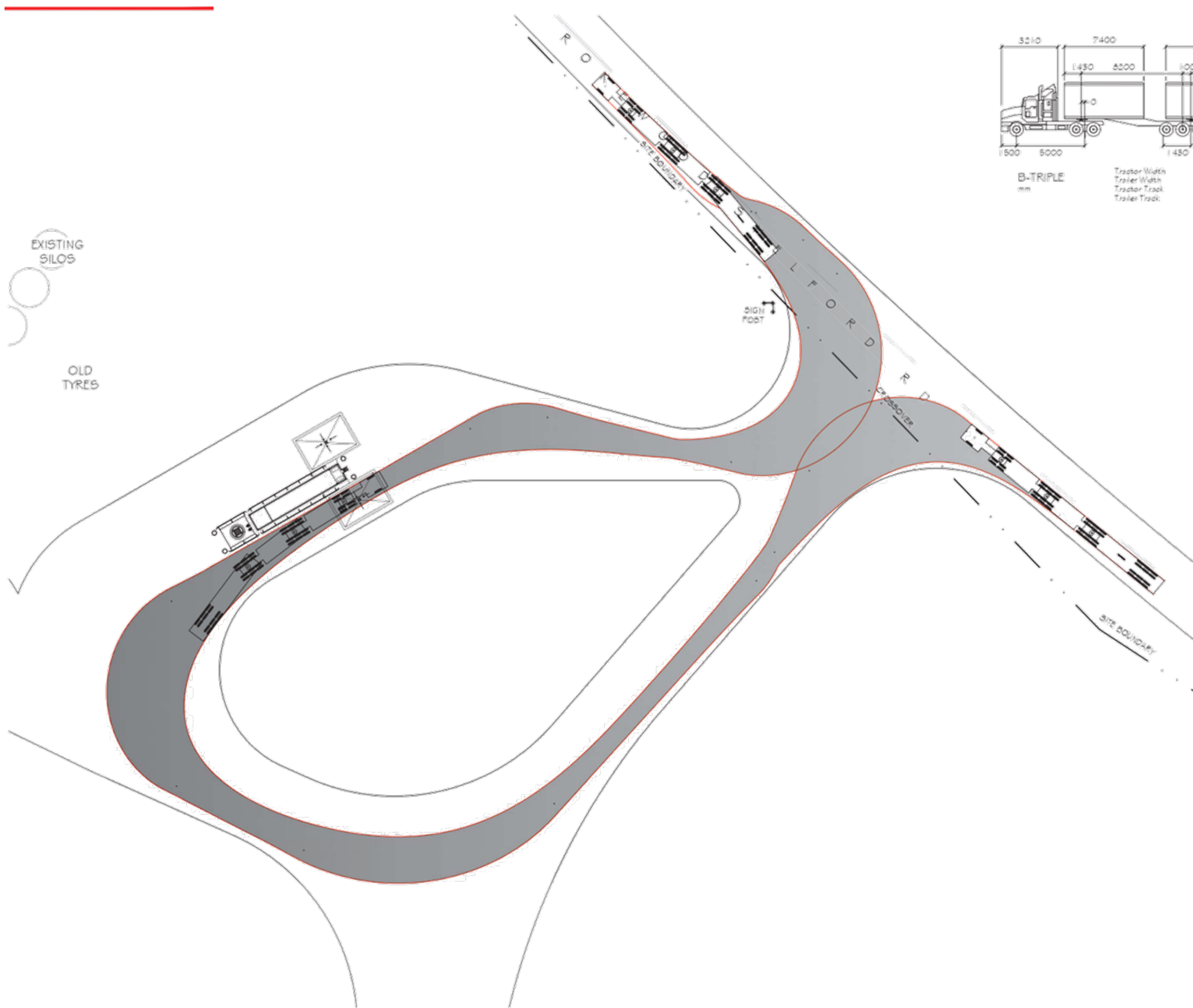
TITLE
 TANKER PATH LAYOUT B-TRIPLE 1 OF 2



PROJECT No	DESIGNED	DRAWN	SCALE
HAZ-2572	ED	ED	1:500 @A3

NORTH
 APPROVED

DRAWING No
 HAZ-2572-A03
 ISSUE No
 3



PRELIMINARY ISSUE

REV	DESCRIPTION	BY	DATE
2	ADDED SIGNAGE	ED	06/04/20
1	REMOVED WATER TANK	ED	18/02/20
0	INITIAL HAZKEM ISSUE	ED	14/02/20



ABN 63 616 105 483
 DANGEROUS GOODS CONSULTING
 LPG & FUEL SYSTEMS – CONSULTING & DESIGN
 8/328 RESERVE RD CHELTENHAM 3192
 PHONE (03) 9842 7300
 www.hozkem.com.au

PROJECT
URG ROKWOOD
 1805 ROKWOOD-SHELFORD RD
 ROKWOOD, VIC

CLIENT
 UNITED RETAIL GROUP

TITLE
TANKER PATH LAYOUT B-TRIPLE 2 OF 2

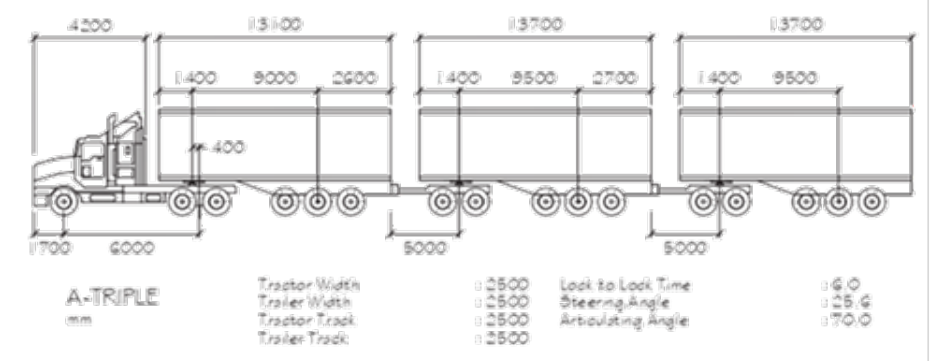
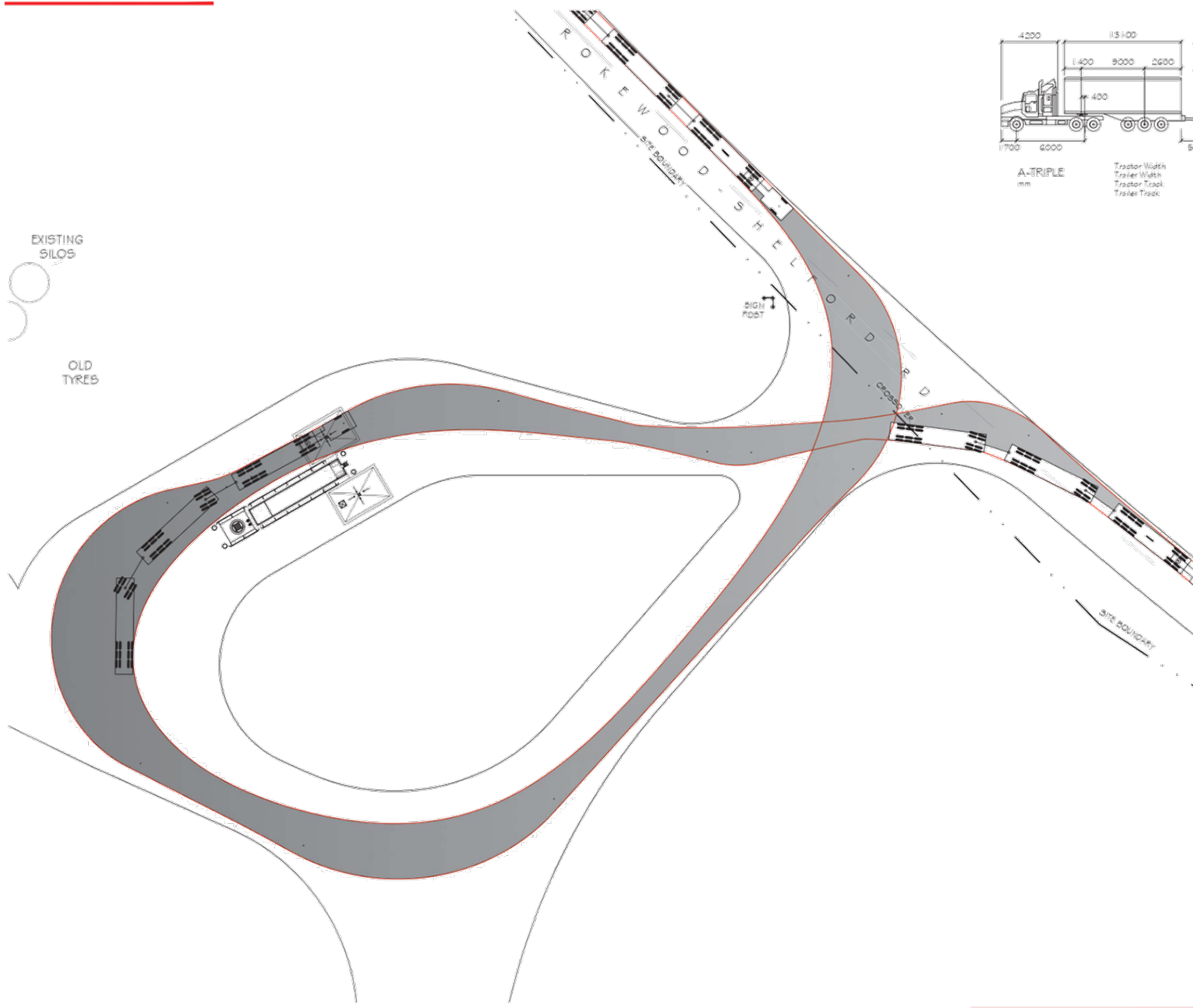


PROJECT No	DESIGNED	DRAWN	SCALE
HAZ-2572	ED	ED	1:500 @A3

NOTES
 APPROVED

DRAWING No
HAZ-2572-A04

ISSUE No
2



PRELIMINARY ISSUE

ISSUE DESCRIPTION	BY	DATE
1. ADD SIGNAGE	ED	06/04/20
2. REMOVE WATER TANK	ED	18/02/20
3. FINAL HAZKEM ISSUE	ED	14/02/20

HAZKEM

ABN 63 616 105 483
DANGEROUS GOODS CONSULTING
LPG & FUEL SYSTEMS - CONSULTING & DESIGN
8/328 RESERVE RD CHELTENHAM 3192
PHONE (03) 9842 7300
www.hozkem.com.au

PROJECT
URG ROKWOOD
1805 ROKWOOD-SHELFORD RD
ROKEWOOD, VIC

CLIENT
UNITED RETAIL GROUP

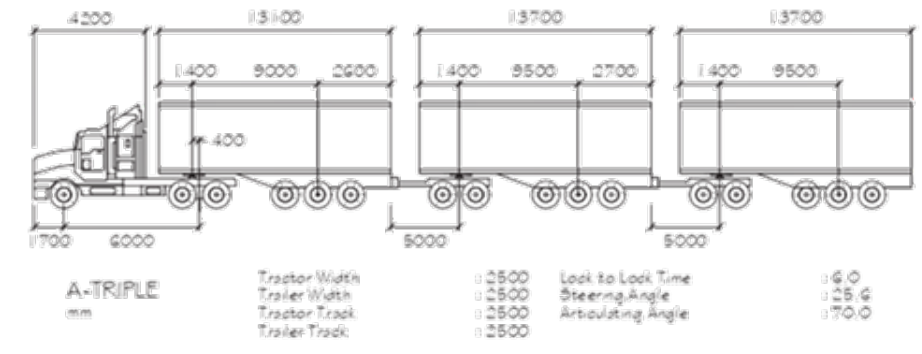
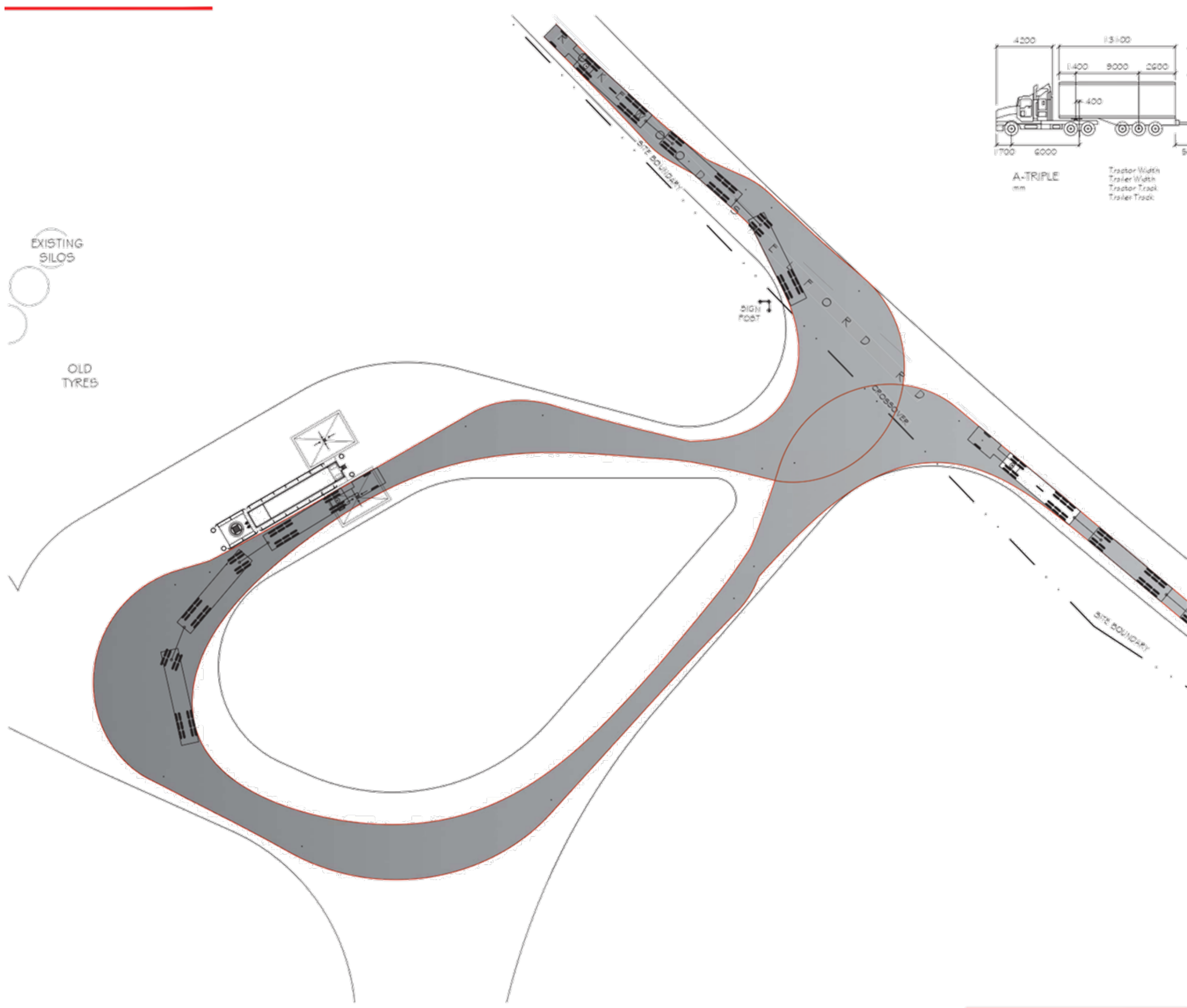
TITLE
TANKER PATH LAYOUT A-TRIPLE 1 OF 2



PROJECT No	DESIGNED	DRAWN	SCALE
HAZ-2572	ED	ED	1:500 @A3

NORTH
 APPROVED

DRAWING No
HAZ-2572-A05 ISSUE No
2



PRELIMINARY ISSUE

REV	DESCRIPTION	BY	DATE
2	ADDED SIGNAGE	EC	06/04/20
1	REMOVED WATER TANK	EC	18/02/20
0	INITIAL HAZKEM ISSUE	EC	14/02/20

HAZKEM

ABN 63 616 105 483
DANGEROUS GOODS CONSULTING
LPG & FUEL SYSTEMS – CONSULTING & DESIGN
8/328 RESERVE RD CHELTENHAM 3192
PHONE (03) 9842 7300
www.hozkem.com.au

PROJECT
URG ROKWOOD
1805 ROKWOOD-SHELFORD RD
ROKWOOD, VIC

CLENT
UNITED RETAIL GROUP

TITLE
TANKER PATH LAYOUT A-TRIPLE 2 OF 2



PROJECT No	DESIGNED	DRAWN	SCALE
HAZ-2572	EC	EC	1:500 @A3

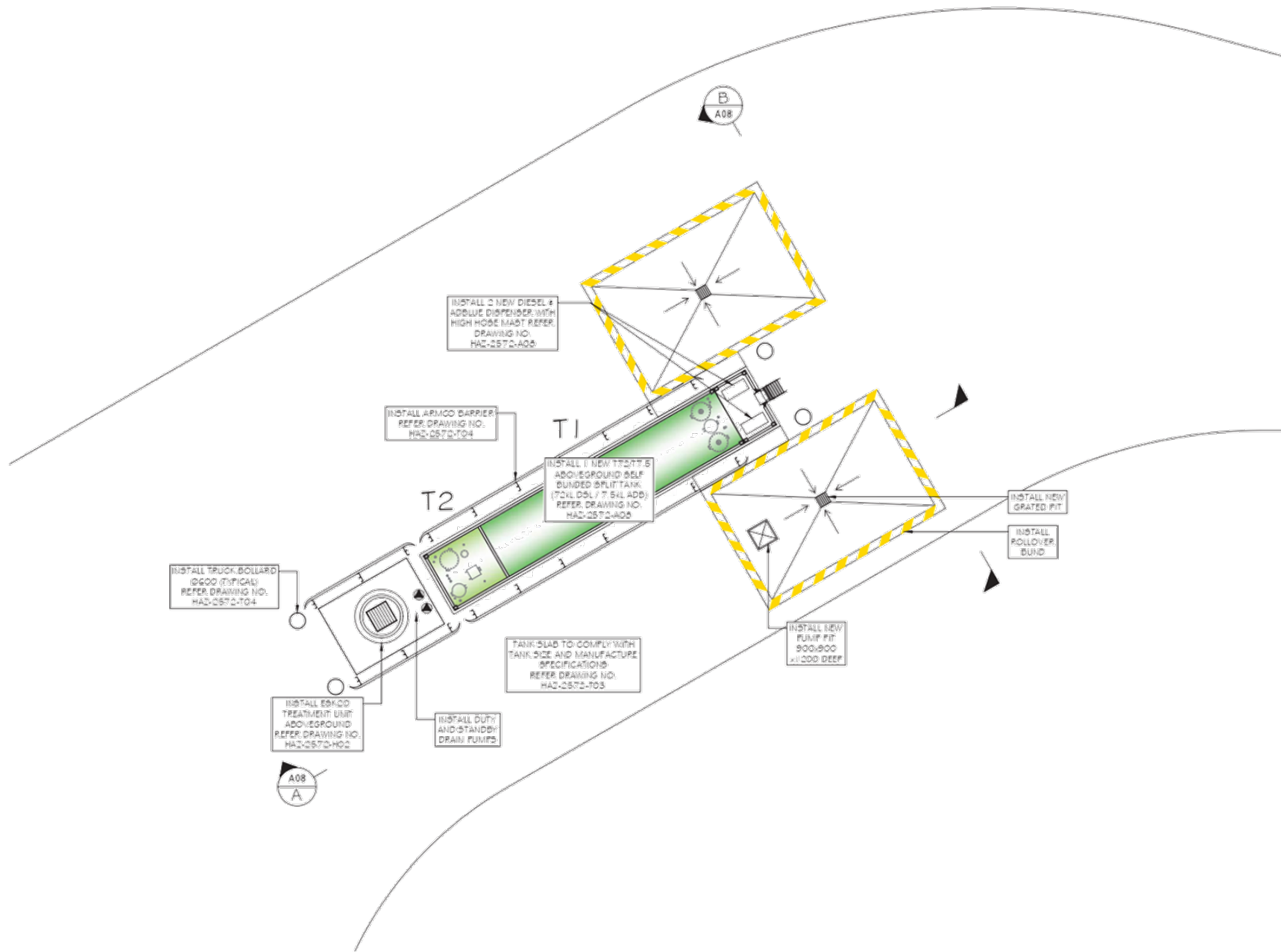
NORTH
APPROVED

DRAWING No
HAZ-2572-A06

ISSUE No
2

TANK SCHEDULE					
TANK-ID	TANK-SIZE	TANK MANUFACTURER	COMPARTMENT-SIZE	PRODUCT	DISPENSER-FEEDS
T1	T72/T7.5 SPLIT TANK	FUELCO	72, 000LT	D5L	1,2
T2	T72/T7.5 SPLIT TANK	FUELCO	7, 500LT	AD BLUE	1,2

- NOTE:
- NO PROTECTED WORKS ON OR OFF SITE WITHIN 6.1m OF 72KL DIESEL TANK.
 - DISPENSERS ATTACHED TO A/G T72/T7.5 FUELCO SPLIT TANK (72KL D5L / 7.5KL AD5) WITH 2 X 5M 25mm ID HOSE HIGH-MAST HOSE RETRACTOR.
 - AS AN UNSUPERVISED SELF SERVICE FACILITY AN EMERGENCY SHUT DOWN DEVICE WILL BE INSTALLED THAT SHUTS OFF THE DISPENSER & TRANSMITS AN ALARM TO A PERSON OR ORGANIZATION CAPABLE TO RESPOND AS REQUIRED BY AS1940 CLAUSE 7.3.5C.



PRELIMINARY ISSUE

ISSUE DESCRIPTION	BY	DATE
1. NOTES REVISED (TANK SIZE)	ED	18/02/20
2. NOTES AND DETAILS REVISED	ED	14/02/20
3. FINAL HAZKEM ISSUE	ED	28/01/20



ABN 63 616 105 483
 DANGEROUS GOODS CONSULTING
 LPG & FUEL SYSTEMS - CONSULTING & DESIGN
 8/328 RESERVE RD CHELTENHAM 3192
 PHONE (03) 9842 7300
 www.hozkem.com.au

PROJECT
 URG ROKWOOD
 1805 ROKWOOD-SHELFORD RD
 ROKWOOD, VIC

CLIENT
 UNITED RETAIL GROUP

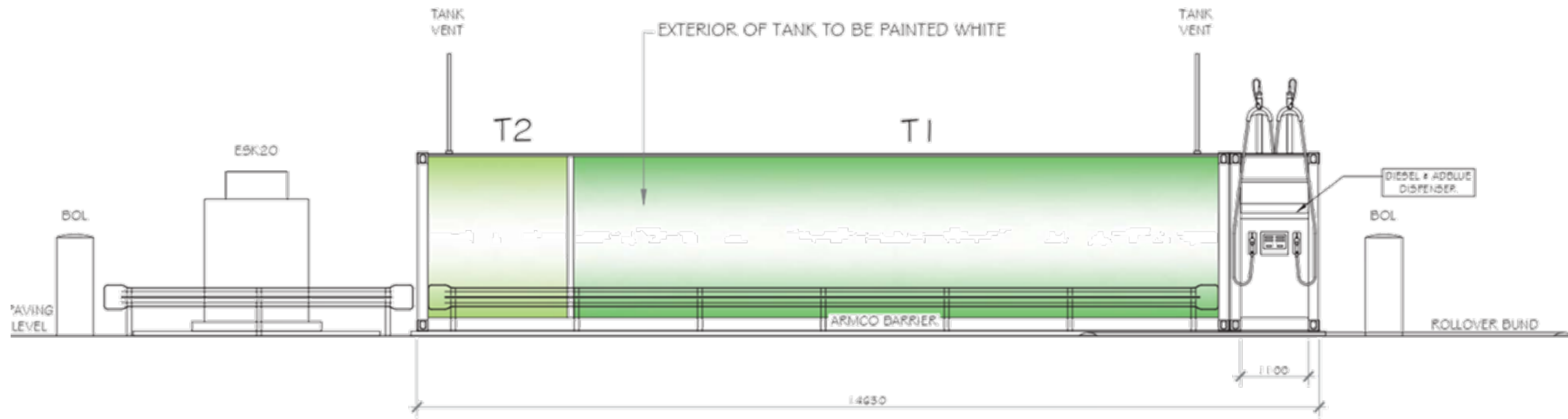
TITLE
 PROPOSED SITE DETAIL



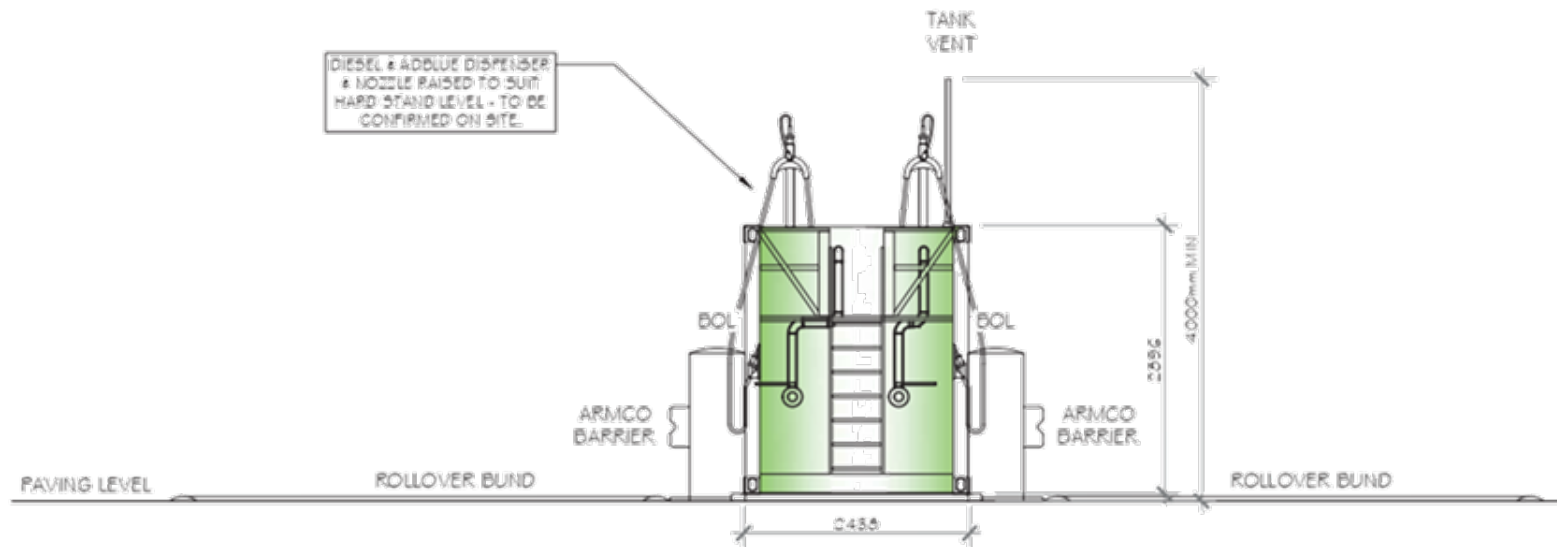
PROJECT No	DESIGNED	DRAWN	SCALE
HAZ-2572	ED		1:150 @A3

NOTED APPROVED

DRAWING No
 HAZ-2572-A07
 ISSUE No
 2



TANK & CANOPY ELEVATION A
SCALE 1:75 @ A3



TANK & CANOPY ELEVATION B
SCALE 1:75 @ A3

NOTE:
 1. NO PROTECTED WORKS ON OR OFF SITE WITHIN 6.1m OF 72KL DIESEL TANK.
 2. DISPENSERS ATTACHED TO AIG T72/T7.5 FUELCO SPLIT TANK (72KL D5L / 7.5KL ADB) WITH 2 X 5M 25mm ID HOSE HIGH-MAST HOSE RETRACTOR.
 3. AS AN UNSUPERVISED SELF SERVICE FACILITY AN EMERGENCY SHUT DOWN DEVICE WILL BE INSTALLED THAT SHUTS OFF THE DISPENSER & TRANSMITS AN ALARM TO A PERSON OR ORGANIZATION CAPABLE TO RESPOND AS REQUIRED BY AS1940 CLAUSE 7.3.5C.



PRELIMINARY ISSUE

REVISION DESCRIPTION	BY	DATE
1. PROVIDED SIGNAGE	ED	06/04/20
2. NOTES REVISED (TANK T.5)	ED	18/02/20
3. FINAL HAZKEM ISSUE	ED	14/02/20



ABN 63 616 105 483
 DANGEROUS GOODS CONSULTING
 LPG & FUEL SYSTEMS - CONSULTING & DESIGN
 8/328 RESERVE RD CHELTENHAM 3192
 PHONE (03) 9842 7300
 www.hozkem.com.au

PROJECT
 URG ROKWOOD
 1805 ROKWOOD-SHELFORD RD
 ROKWOOD, VIC

CLIENT
 UNITED RETAIL GROUP

TITLE
 PROPOSED SITE ELEVATIONS



SCALE 1:75

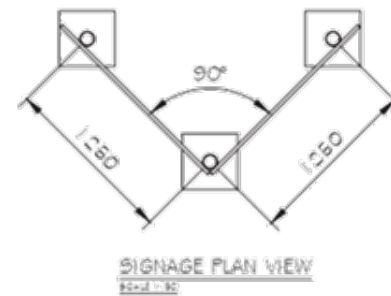
PROJECT No: HAZ-2572 DESIGNED: ED DRAWN: ED SCALE: 1:75 @A3

CHECKED: APPROVED:

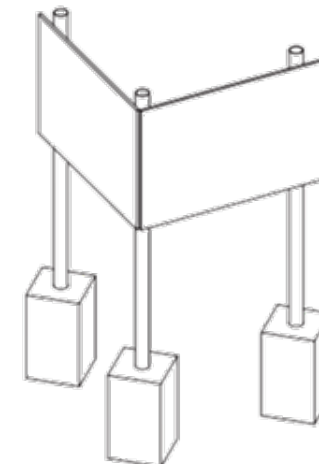
DRAWING No: HAZ-2572-A08 ISSUE No: 2



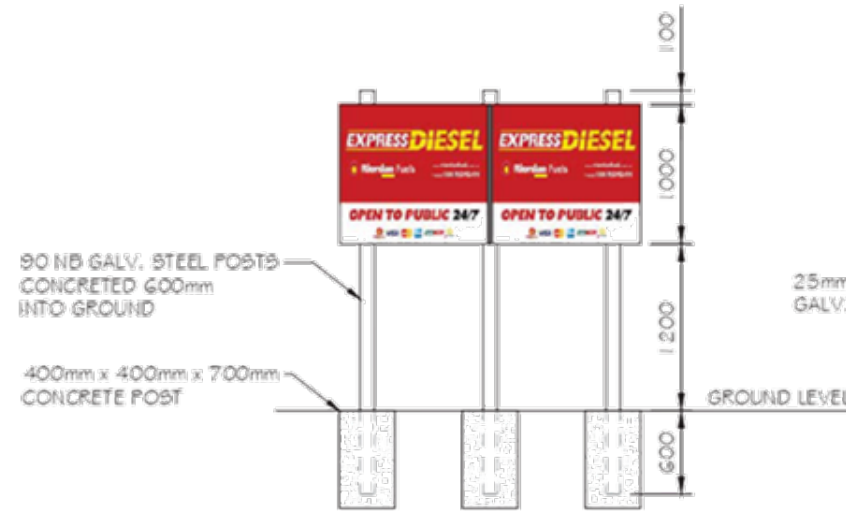
1500mm x 1000mm SIGNAGE
(ONE SIGN FOR EACH FRAME)
SCALE: 1:25



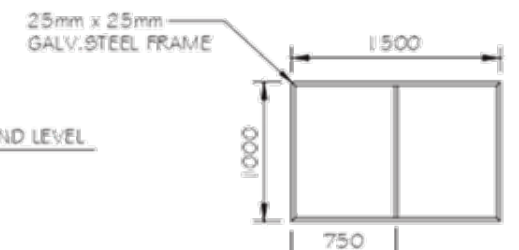
SIGNAGE PLAN VIEW
SCALE: 1:50



ISOMETRIC VIEW
SCALE: 1:50



SIGNAGE ELEVATION VIEW
SCALE: 1:50



STEEL FRAME ARRANGEMENT
SCALE: 1:50

- NOTE:
1. NO PROTECTED WORKS ON OR OFF SITE WITHIN 6.1m OF 72kL DIESEL TANK.
 2. DISPENSERS ATTACHED TO AIG T72/T7.5 FUELCO SPLIT TANK (72kL D5L / 7.5kL ADB) WITH 2 X 5M 25mm ID HOSE HIGH-MAST HOSE RETRACTOR.
 3. AS AN UNSUPERVISED SELF SERVICE FACILITY AN EMERGENCY SHUT DOWN DEVICE WILL BE INSTALLED THAT SHUTS OFF THE DISPENSER. * TRANSMITS AN ALARM TO A PERSON OR ORGANIZATION CAPABLE TO RESPOND AS REQUIRED BY AS1940 CLAUSE 7.3.5C.



PRELIMINARY ISSUE

REVISION DESCRIPTION	BY	DATE
0 INITIAL HAZKEM ISSUE	EC	02/04/20

HAZKEM

ABN 63 616 105 483
DANGEROUS GOODS CONSULTING
LPG & FUEL SYSTEMS - CONSULTING & DESIGN
8/328 RESERVE RD CHELTENHAM 3192
PHONE (03) 9842 7300
www.hozkem.com.au

PROJECT
URG ROKWOOD
1805 ROKWOOD-SHELFORD RD
ROKWOOD, VIC

CLIENT
UNITED RETAIL GROUP

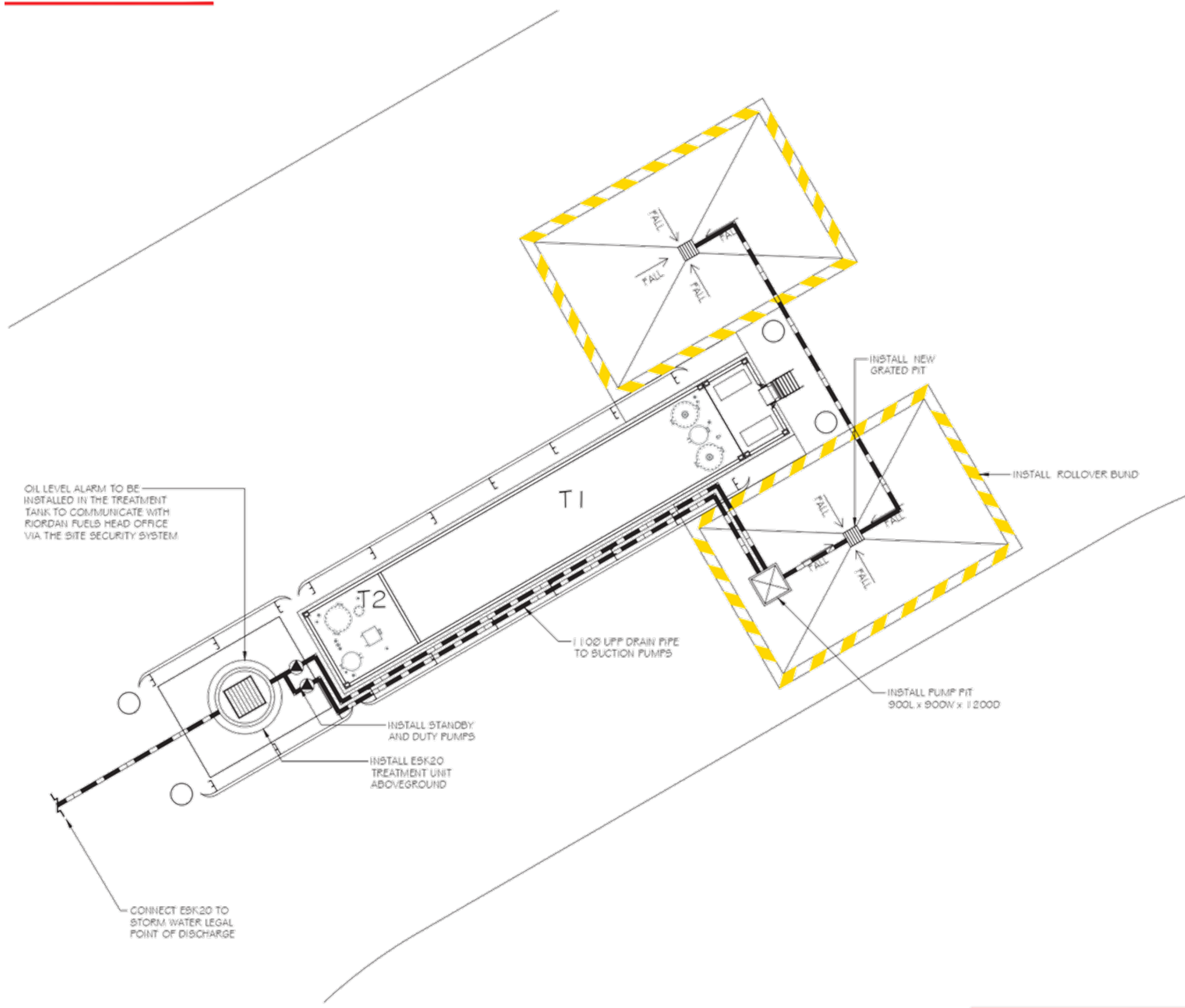
TITLE
PROPOSED SIGNAGE DETAILS



PROJECT No	DESIGNED	DRAWN	SCALE
HAZ-2572	EC		1:50 @A3

NOTES	APPROVED

DRAWING No	ISSUE No
HAZ-2572-A09	0



PRELIMINARY ISSUE

ISSUE DESCRIPTION	BY	DATE
0 INITIAL HAZKEM ISSUE		14/02/20



ABN 63 616 105 483
 DANGEROUS GOODS CONSULTING
 LPG & FUEL SYSTEMS - CONSULTING & DESIGN
 8/328 RESERVE RD CHELTENHAM 3192
 PHONE (03) 9842 7300
 www.hozkem.com.au

PROJECT
 URG ROKWOOD
 1805 ROKWOOD-SHELFORD RD
 ROKWOOD, VIC

CLIENT
 UNITED RETAIL GROUP

TITLE
 PROPOSED SITE DRAINAGE PLAN

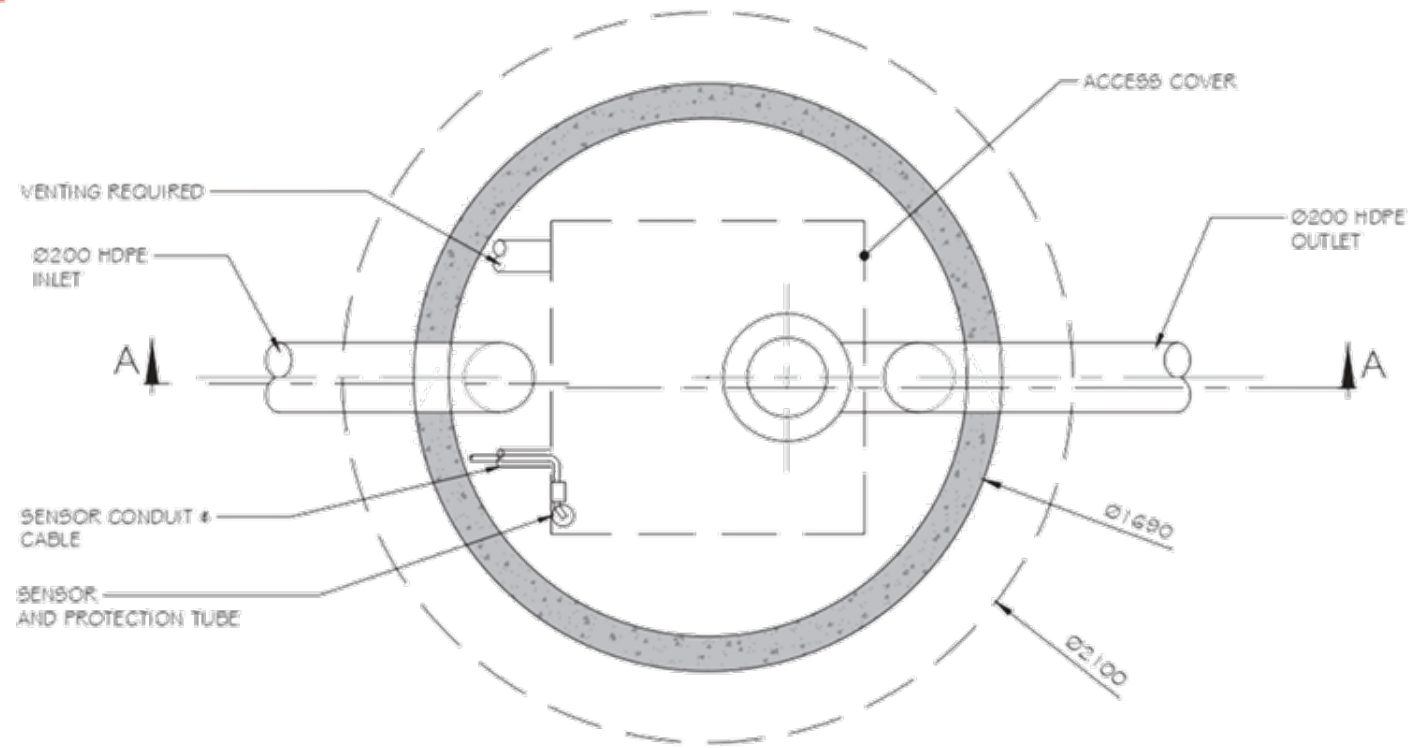


PROJECT No	DESIGNED	DRAWN	SCALE
HAZ-2572	AM		1:100 @A3

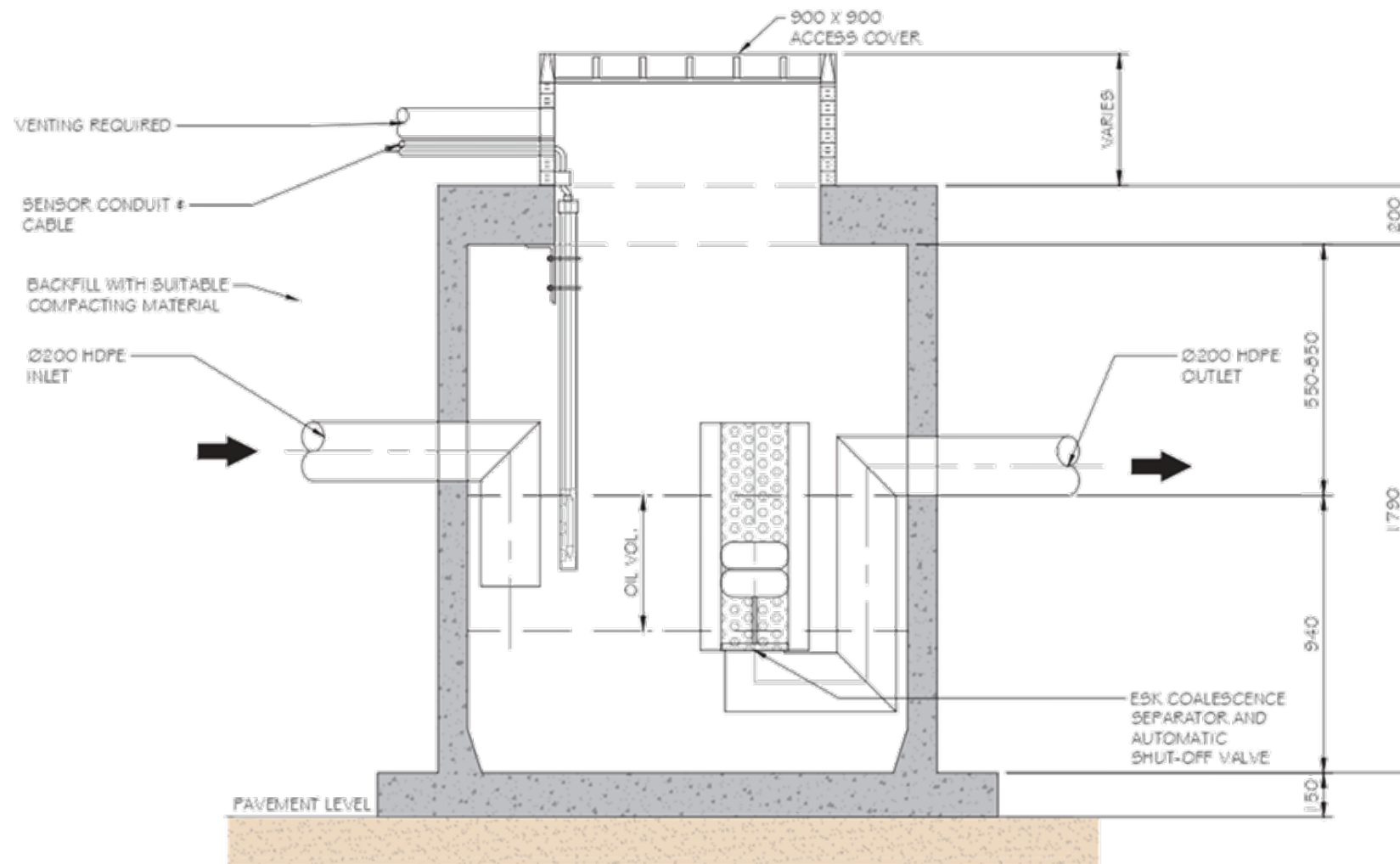
NOTES
 APPROVED

DRAWING No
 HAZ-2572-H01

ISSUE No
 0



ESK20 OIL/WATER SEPARATOR PLAN
SCALE 1:20



ESK20 OIL/WATER SEPARATOR LONGITUDINAL SECTION A-A
SCALE 1:20



PRELIMINARY ISSUE

ISSUE DESCRIPTION	BY	DATE
0 INITIAL HAZKEM ISSUE	EC	14/02/20

HAZKEM

ABN 63 616 105 483
DANGEROUS GOODS CONSULTING
LPG & FUEL SYSTEMS - CONSULTING & DESIGN
8/328 RESERVE RD CHELTENHAM 3192
PHONE (03) 9842 7300
www.hazkem.com.au

PROJECT
URG ROKWOOD
1805 ROKWOOD-SHELFORD RD
ROKEWOOD, VIC

CLIENT
UNITED RETAIL GROUP

TITLE
ESK20 OIL & WATER SEPARATOR
DETAIL



PROJECT No	DESIGNED	DRAWN	SCALE
HAZ-2572	AM		1:20 @A3

DATE	APPROVED	ISSUE No
		0